

ShowStar model

BRANDbooths™

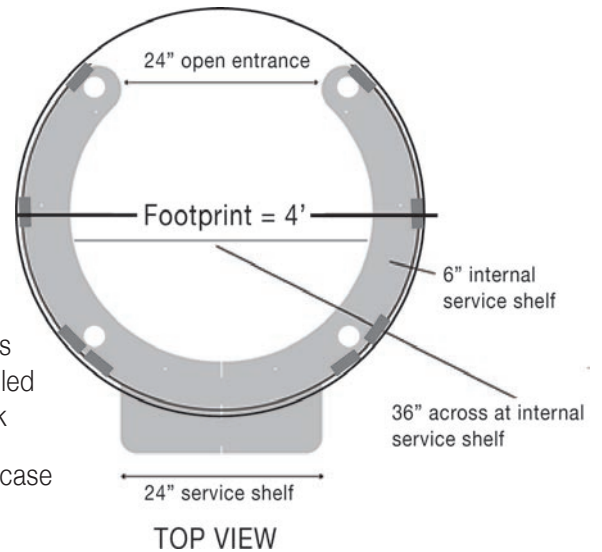
Get your brand out.

Our *ShowStar* model features a unique patented banner tensioning system which creates an incredibly rigid graphic presentation. It's simple to set up and is very durable. It's designed for frequently used applications and includes a lightweight travel container with wheels. It's patented design is world class!



"ShowStar"

- 8' height, 48" footprint
- Open access back
- Service window & shelf
- Easy set up (approx. 30 min.)
- Strong, lightweight aluminum uprights
- Unique tensioning system allows exterior graphic "skin" to be pulled tight for a very professional look
- Reusable hard plastic shipping case with wheels and handle
- Total shipping weight, 95lbs
- No tools required!



INCLUDES

Pre-press:

Prep your supplied files (from our on-line template) for printing of graphic skin.

Graphic Skin:

Printing and production provided upon receipt of your artwork. Prints on durable PES 240 material, 4/0 -114" x 85.5". Hem with webbing on 4 sides and window cutout. Delivered with applied "clamp strips" in place, for patented graphic tensioning-system, on top and bottom.

Structure:

Lightweight, collapsible aluminum structure and tensioners to create 8' x 4' cylinder/frame. Sturdy wooden shelf features brushed metal laminate surface.

Carrying Case:

Reusable hard plastic shipping case with wheels and handle.



Sample artwork on assembled BrandBooth